

The Intelbras logo is displayed in a green, lowercase, sans-serif font. The background features large, light gray, stylized letters 'E' and 'U'.

**Intelbras**

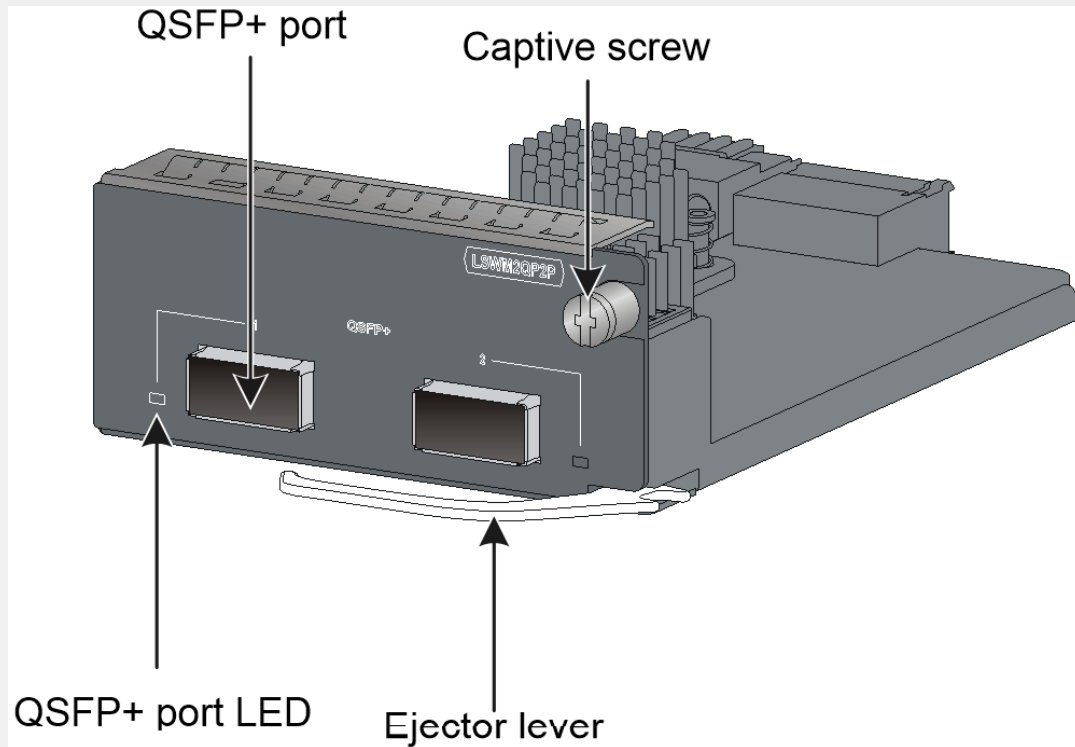
**LSWM2QP2P**

**Interface Card User**

**Manual**

## Overview

The LSWM2QP2P interface card provides two QSFP+ ports.



The switch models that the LSWM2QP2P interface cards is applicable to may change over time. For the most up-to-date list of applicable switch models, contact Intelbras Support or marketing staff.

The restrictions for using the LSWM2QP2P vary by device model. For more information, see the installation guide or hardware information and specifications for the device.

## Installing and removing the card

Prepare the following tools before you install or remove the card: Phillips screwdriver, flat-blade screwdriver, and ESD wrist strap.

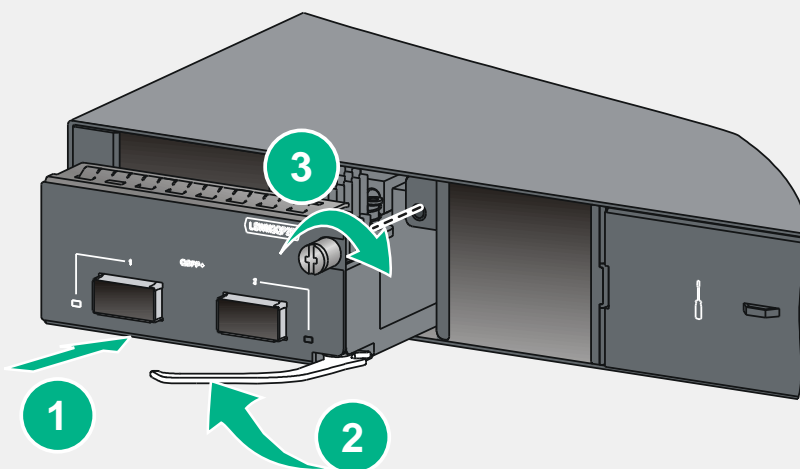
No installation tools are provided with the device. Prepare these tools yourself.

### 1 - Safety precautions

Before you install or remove the card, wear an ESD wrist strap and make sure the strap makes good skin contact and is reliably grounded.

To avoid device damage, do not use excessive force when you install or remove the card.

### 2 - Installing the card



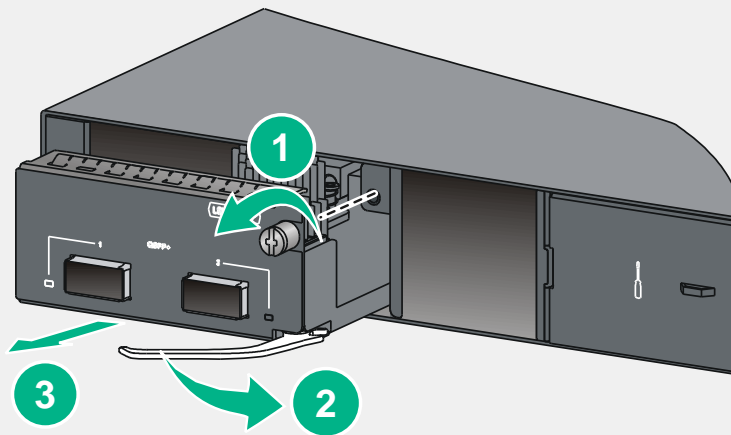
Remove the filler panel (if any) from the target slot before installing the card. Keep the removed screw and filler panel secure for future use.

- (1) Unpack the card. Insert the card slowly into the slot along the guide rails.
- (2) Rotate inward the ejector lever until the card is in close contact with the switch.
- (3) Use the Phillips screwdriver to tighten the captive screw on the card.

### 3 - Removing the card

To avoid cable damage, remove the cables from the card before removing the card.

If you are not to install a new card after removing the original one, install a filler panel in the slot to prevent dust and ensure good ventilation in the device.



Place the removed card on an anti-static mat or in an anti-static bag.

- (1) Use a Phillips screwdriver to loosen the captive screw on the card.
- (2) Hold the ejector lever to pull the card outward until the card is disconnected from the connectors.
- (3) Hold the card with both hands and take it out slowly.
- (4) Installing and removing transceiver modules and cables

### Verifying the installation

After the installation is complete, determine whether the card is operating correctly. If the card fails to operate correctly, perform the following steps:

Reinstall the card following the installation procedures described in this document.

If the problem persists, contact Intelbras Support.

## Ports

You can install QSFP+ transceiver modules, QSFP+ cables, and QSFP+ to SFP+ cables in the SFP ports.

Intelbras transceiver modules and cables available for the card are subject to change over time. For the most recent list of Intelbras transceiver modules and cables available for the card, contact Intelbras Support or marketing staff.

## LEDs

The QSFP+ port LEDs are not affected by the port LED mode switching button on your switch. For more information about the port LED mode switching button, see the installation guide for the switch.

LED Status	Description
Steady green	A transceiver module is installed in the port. The port is operating at 40 Gbps, and a link is present on the port.
Flashing green	The port is sending or receiving data at 40 Gbps.
Steady yellow	A transceiver module is installed in the port. The port is operating at 10 Gbps, and a link is present on the port.
Flashing yellow	The port is sending or receiving data at 10 Gbps.
Off	No transceiver module is installed in the port, or no link is present on the port.