

**intelbras**

**Intelbras**

**PSR720-56A Power**

**Module User**

**Manual**

## Power module overview

PSR720-56A is an AC-input and DC-output power module. It provides a maximum output of 720 W and delivers the following features:

Table 1 - Features

Feature	Description
Protection	Protection against over-current input, under-voltage input, over-voltage output, output current limiting, output short circuit, and over-temperature.
Redundancy	When you install two power modules on a device, the two power modules support 1+1 redundancy and load sharing.
Hot swapping	You can replace a power module when the switch is operating.

## Technical specifications

Table 2 - Technical specifications

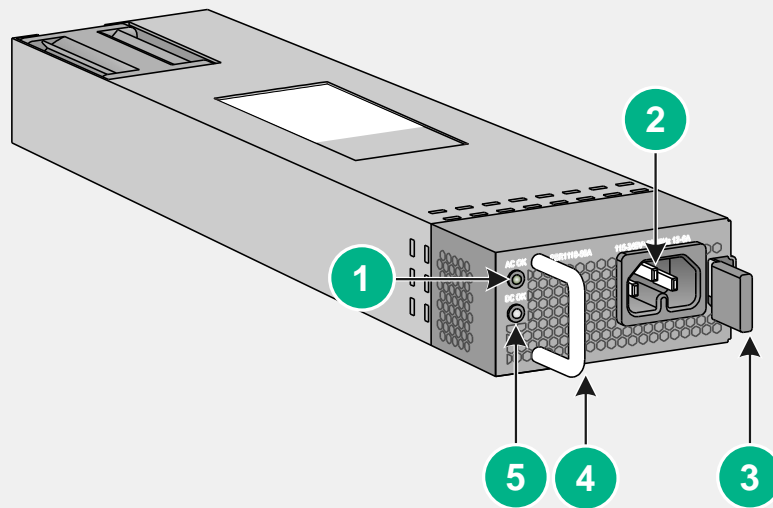
Item	Specifications
Rated input voltage	100 VAC to 240 VAC @ 50 Hz or 60 Hz
Maximum input voltage	90 VAC to 264 VAC @ 47 Hz to 63 Hz
Maximum input current	10 A
Output voltage	-56 V
Output current	12.8 A
Maximum output power	720 W
Dimensions (H × W × D)	40.1 × 82.6 × 259.5 mm (1.58 × 3.25 × 10.22 in)
Operating temperature	-5°C to +45°C (23°F to 113°F)

Relative humidity

5% to 95%

## Appearance

Figure 1 - Appearance



(1) Input status LED (AC OK)	(2) AC-input power receptacle
(3) Latch	(4) Handle
(5) Output status LED (DC OK)	

## LEDs

The power module has two status LEDs on its front panel.

Table 3 - LED description

LED	Status	Description
Input status LED (AC OK)	Steady green	The power input is normal.
	Off	No power input or the power input is abnormal.
Output status LED (DC OK)	Steady green	The power output is normal.
	Steady red	The power output is abnormal.
	Off	No power output.

## Installing and removing the power module

### Safety precautions

To avoid possible bodily injury and power module and device damage, follow these safety precautions:

- When you install and remove the power module, always wear an ESD wrist strap and make sure it makes good skin contact and is reliably grounded.
- Before you install the power module, make sure the voltage of the power source is as required by the power module, and the output voltage of the power module is as required by the device.
- Do not touch any cables or terminals of the power module.
- Do not place the power module in a wet area, and prevent liquid from flowing into the power module.
- To avoid power module damage, do not open the power module. When the internal circuits or components of the power module fail, contact Intelbras Support.

### Tools

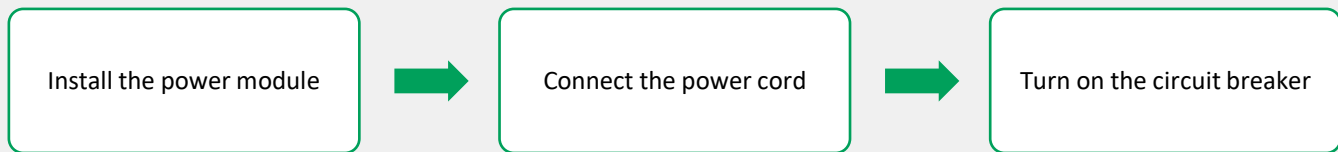
Prepare an ESD wrist strap and a flat-blade screwdriver yourself.

## Installing and removing the power module

### Installing the power module

To avoid bodily injury or device damage, follow the procedure in Figure 2 to install the power module.

Figure 2 - Installation procedure

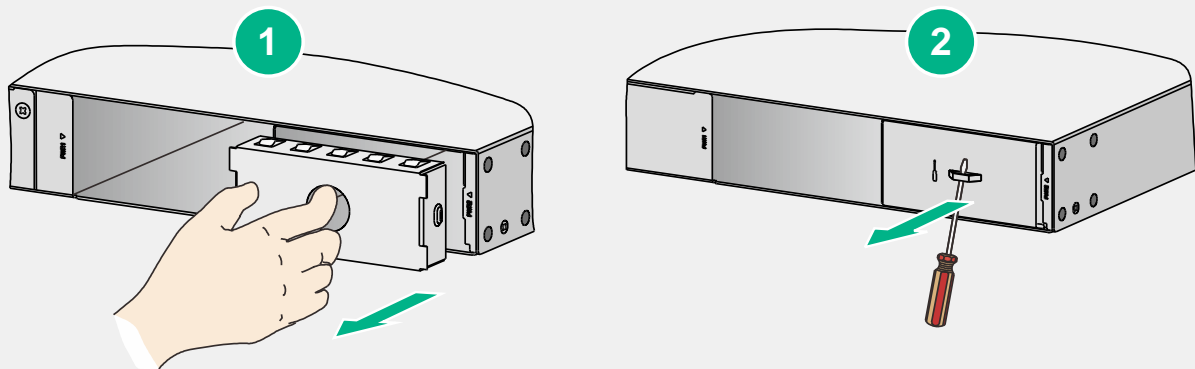


To

install the power module:

- 1) Put on the ESD wrist strap and make sure the strap makes good skin contact and is reliably grounded.
- 2) Unpack the power module and verify that the power module model is as required.
- 3) Remove the filler panel as shown in Figure 3, if any from the target power module slot.
  - Put your finger into the round hole in the filler panel and pull the filler panel out along the guide rails.
  - Insert a flat-blade screwdriver through the handle on the filler panel and pull the filler panel out along the guide rails.

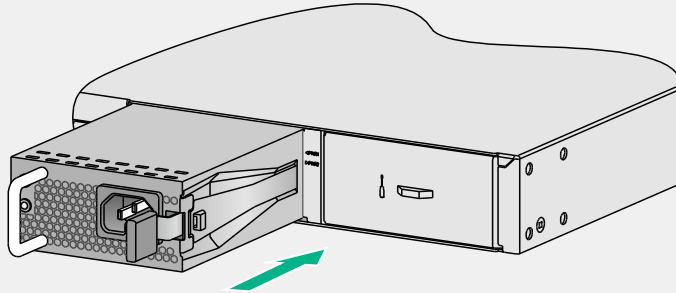
Figure 3 - Removing a filler panel



- 4) Insert the power module into the slot, as shown in Figure 4:
  - a) Correctly orient the power module with the characters upward.
  - b) Holding the handle of the power module with one hand and supporting the bottom of the power module with the other, slide the power module along the guide rails into the slot. When the power module is completely inserted into the slot, you can hear that the latch of the power module clicks into the slot.

If the power module is not aligned with the slot, pull out the power module, adjust its direction, and insert it again.

Figure 4 - Installing the power module



**IMPORTANT:**

Keep the filler panel and the packaging box and packaging bag of the power module for future use.

## Connecting the AC power cord

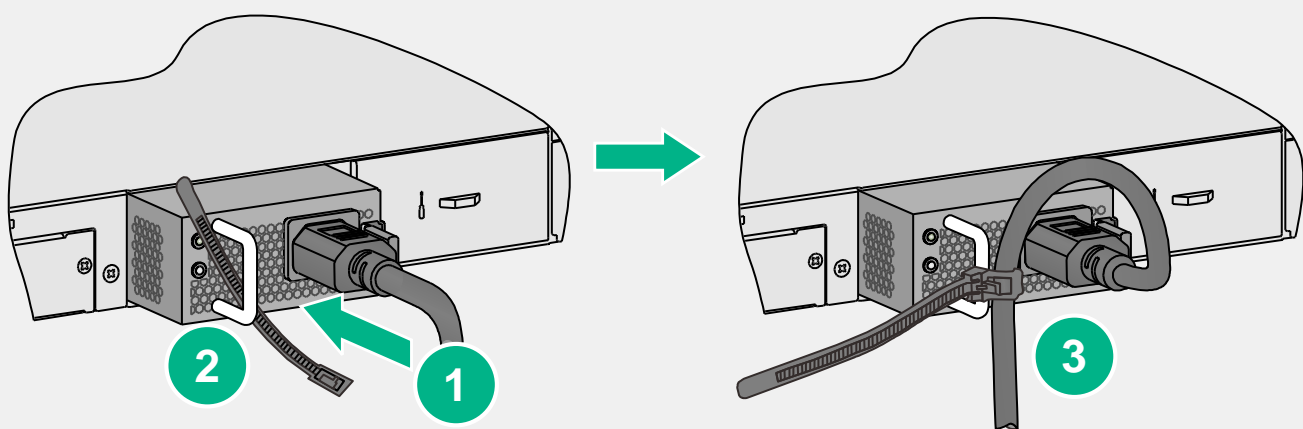
**CAUTION:**

- Use the AC power cord provided with the power module. The AC power cord uses a high-temperature C15 connector.
- Make sure the power cord has a separate circuit breaker.
- Turn off the circuit breaker before connecting the power cord.

To connect the power cord:

- 1) As shown in Figure 5, plug the female connector end of the AC power cord into the AC-input receptacle on the power module.
- 2) Use a cable tie to secure the power cord to the handle of the power module.

Figure 5 - Connecting the AC power cord

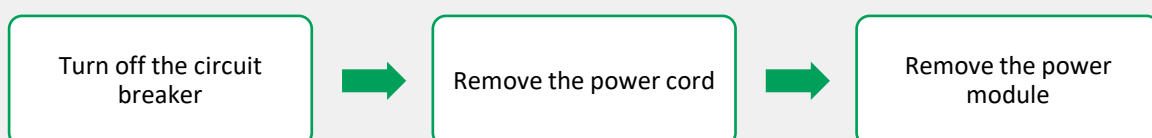


- 3) Connect the other end of the AC power cord to the AC power source, and turn on the circuit breaker.
1. Examine the AC OK LED on the power module. If the LED is steady green, the power cord is connected correctly. If the LED is off, examine the installation, troubleshoot the problems, and try again until the LED is steady green.

## Removing the power module

To avoid bodily injury or device damage, follow the procedure in Figure 6 to remove the power module.

Figure 6 - Power module removing procedure

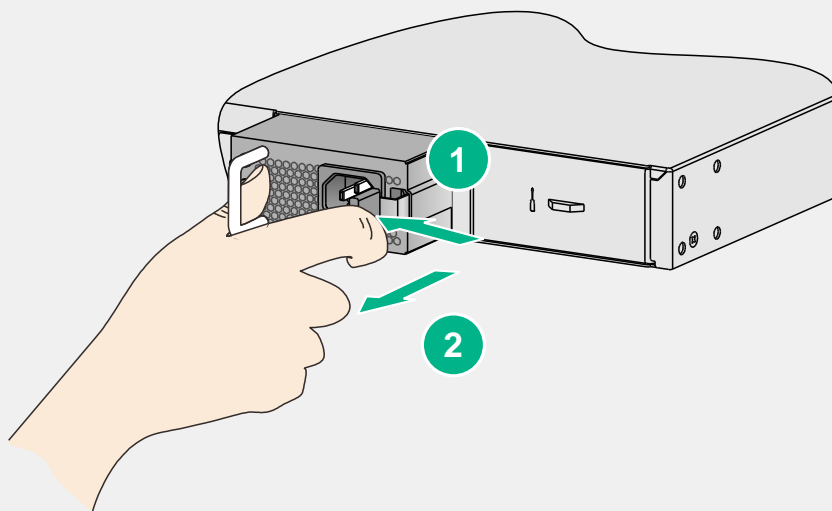




To remove the power module:

- 1) Turn off the circuit breaker at the power input end.
- 2) Put on the ESD wrist strap and make sure the strap makes good skin contact and is reliably grounded.
- 3) Loosen the cable tie and remove the power cord.
- 4) As shown in Figure 7, press the latch towards the handle, and pull the power module part way out of the slot along the guide rails.
- 5) Holding the handle of the power module with one hand, and supporting the bottom of the power module with the other, pull the power module slowly out of the slot along the guide rails.
- 6) Put the removed power module on an antistatic mat or into its package.
- 7) If you are not to insert a power module into the empty slot, insert the filler panel into the slot to prevent dust from entering the chassis.

Figure 7 - Removing the power module



Box content: 1 x power supply, 1 x 3 meters Brazil standard power cable

Compatible with: SC 5520 Series.